

6 Connect the Ethernet Cable

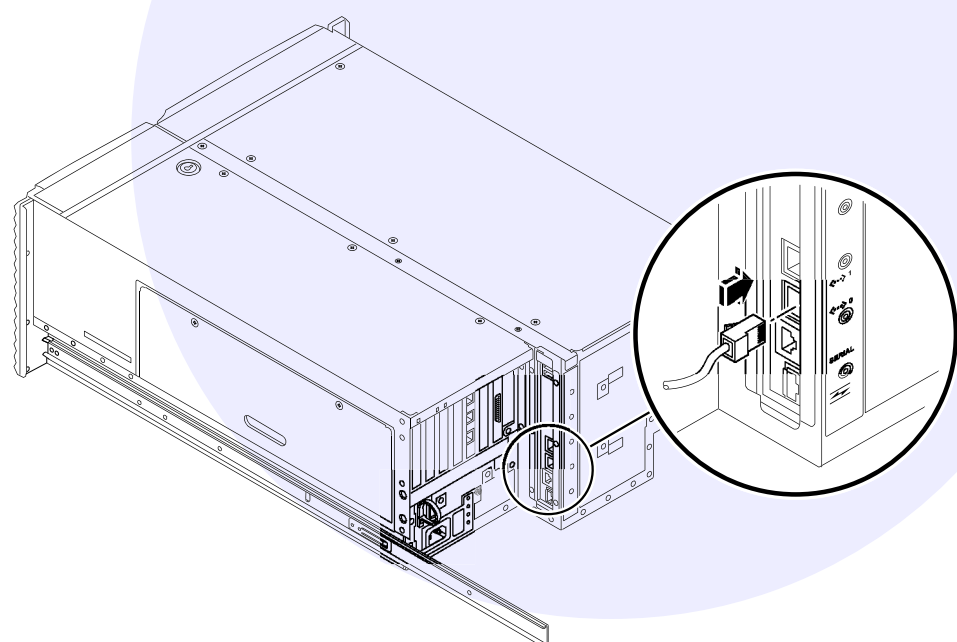
Connect the twisted-pair Ethernet (TPE) cable to one of the Ethernet ports on the back panel of the server. Each network interface configures itself automatically for either 10-Mbps, 100-Mbps, or 1000-Mbps operation depending on network characteristics.

1. Choose an RJ-45 network port using the following table as a guide.

Ethernet Port	PCI Bus/Clock Rate	OBP Devalias	Device Path
↔ 1	PCI C/66 MHz	net1	pci@9, 60000/network@1
↔ 0	PCI D/33 MHz	net0	pci@9, 70000/network@2

2. Connect a TPE cable to the appropriate RJ-45 connector on the back panel.
3. Connect the other end of the TPE cable to your Ethernet network.

Caution - Ensure that you plug in this connector to the TPE RJ-45 port and not to a phone port. You can damage your TPE equipment if you use the incorrect port.



7 Set Up a System Console

To install the server or to diagnose its problems, you need a way to enter system commands and view system output. For initial installation, connect to the serial port on the server's back panel, using one of the following methods:

- Attach an alphanumeric (ASCII) terminal
- Set up a tip connection

Attaching an ASCII Terminal

1. Turn off the power to the terminal.
2. Connect one end of the serial cable to the terminal's serial port. Use an RJ-45 null modem serial cable or an RJ-45 serial cable and null modem adapter (Sun part number 530-2889-03 included in the Ship Kit).
3. Connect the other end of the serial cable to the serial port on the server's back panel.
4. Connect the terminal's power cord to an AC outlet.
5. Set the terminal to receive:
 - At 9600 baud
 - An 8-bit signal with no parity and 1 stop bit

Setting Up a tip Connection

For instructions, see "How to Access the System Console via tip Connection" in Chapter 7 of the *Sun Fire V480 Server Administration Guide*.

8 Install Optional Components

For instructions on installing options, see the *Sun Fire V480 Server Parts Installation and Removal Guide*. This guide is located on the Sun Fire V480 Documentation CD. To install the Documentation CD on a system other than this one, follow the instructions in the CD booklet that is included with the CD.

Note - All internal options (except disk drives and power supplies) must be installed only by qualified service personnel.

Caution - The AC power cords provide a discharge path for static electricity. They must remain plugged in when you install or handle internal components.

Electrostatic Precautions

To protect electronic components from electrostatic damage:

- Place components on an antistatic surface, such as a Sun electrostatic discharge (ESD) mat, an antistatic bag, or a disposable antistatic mat.
- Always wear an antistatic wrist strap connected to a metal surface on the chassis when working on system components.

10 Install the Solaris Operating Environment and Software

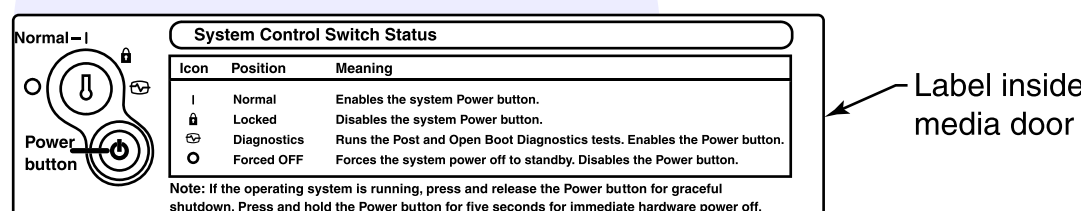
Note - You must set up a console before you install the Solaris operating environment.

The minimum Solaris operating environment for a Sun Fire V480 server is Solaris 8 2/02. See the *Sun Fire V480 Product Notes* for more information.

Step	Task	Instructions
1	Locate your Solaris Media Kit.	The Solaris Media Kit must be ordered separately. Contact your Sun service representative if you are missing a Media Kit. The Solaris Media Kit contains the software CDs, DVD, and documentation you need to install the Solaris software.
2	Install the Solaris operating environment.	Read the <i>Start Here</i> card included in the Solaris Media Kit. Complete each step on the card to install the Solaris operating environment.
3	Install the software from the Supplement CD.	This CD contains additional software for use on the Sun Fire V480 server including Sun™ Remote System Control (RSC) software. You must install the software on the Supplement CD before you can use RSC. The best way to install the software from the Supplement CD is to use Solaris Web Start 2.0. For instructions, see Chapter 3 of the <i>Sun Hardware Platform Guide</i> included in the Media Kit. Web Start 2.0 is an easy-to-use installation utility that automatically installs all the software that you need, including RSC.
4	Configure the Sun Remote System Control (RSC) software.	After you install the Solaris and RSC software, see the <i>Sun Remote System Control (RSC) User's Guide</i> included on the Sun Fire V480 Documentation CD for information about configuring RSC.
5	Install applicable patches.	Install the software patches listed in the <i>Sun Fire V480 Server Product Notes</i> . The Product Notes are shipped with the server. A list of recommended patches is also available on the Recommended and Security Patches page on the SunSolve Online™ web site at: http://sunsolve.sun.com . You can obtain patches and installation instructions from your authorized Sun service provider or by downloading them from the SunSolve Online web site.

9 Power On the System

1. Turn on power to any peripherals and external storage devices.
2. Turn on power to the ASCII terminal, if present.
3. Unlock and open the media door.
4. Turn the system control switch to the Normal or Diagnostics position.



5. Press the Power button.

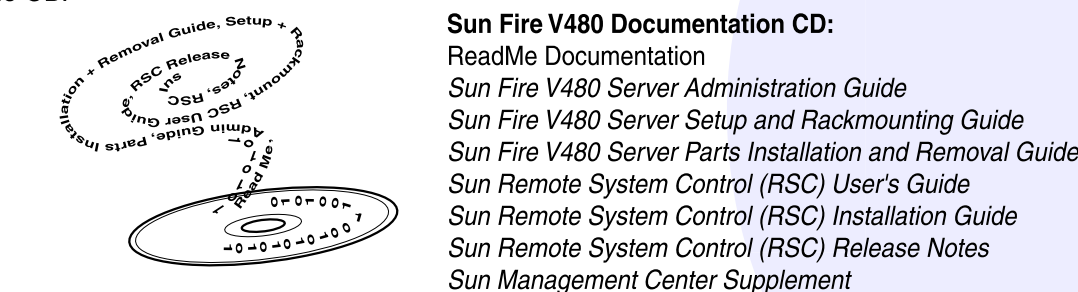
Note - The system may take anywhere from 30 seconds to two minutes before the ok prompt appears on an attached terminal. This time depends on the system configuration and the level of power-on self-test (POST) and OpenBoot Diagnostics tests being performed.

6. For best practice, turn the system control switch to the Locked position and remove the system key.

Note - The Locked position disables the system Power button to prevent unauthorized users from powering the system on or off.

11 Install Online Documentation

The Sun Fire V480 Documentation CD is included in the Ship Kit box. See the booklet included with the CD for instructions on how to install the documentation from the CD. Once you open the Sun Fire V480 Documentation CD, you will find instructions for accessing the documentation on the CD.



12 What Next

Your Sun Fire V480 server is ready to use.

For More Information

Application	Title	Part Number
Late-breaking information	<i>Sun Fire V480 Server Product Notes</i>	816-0905
Rackmounting	<i>Sun Fire V480 Server Setup and Rackmounting Guide</i>	816-0902
Installing or removing FRUs	<i>Sun Fire V480 Server Parts Installation and Removal Guide</i>	816-0907
Administration, configuration, diagnostics and troubleshooting	<i>Sun Fire V480 Server Administration Guide</i>	816-0904
Sun Remote System Control (RSC)	<i>Sun Remote System Control (RSC) User's Guide</i>	816-3314