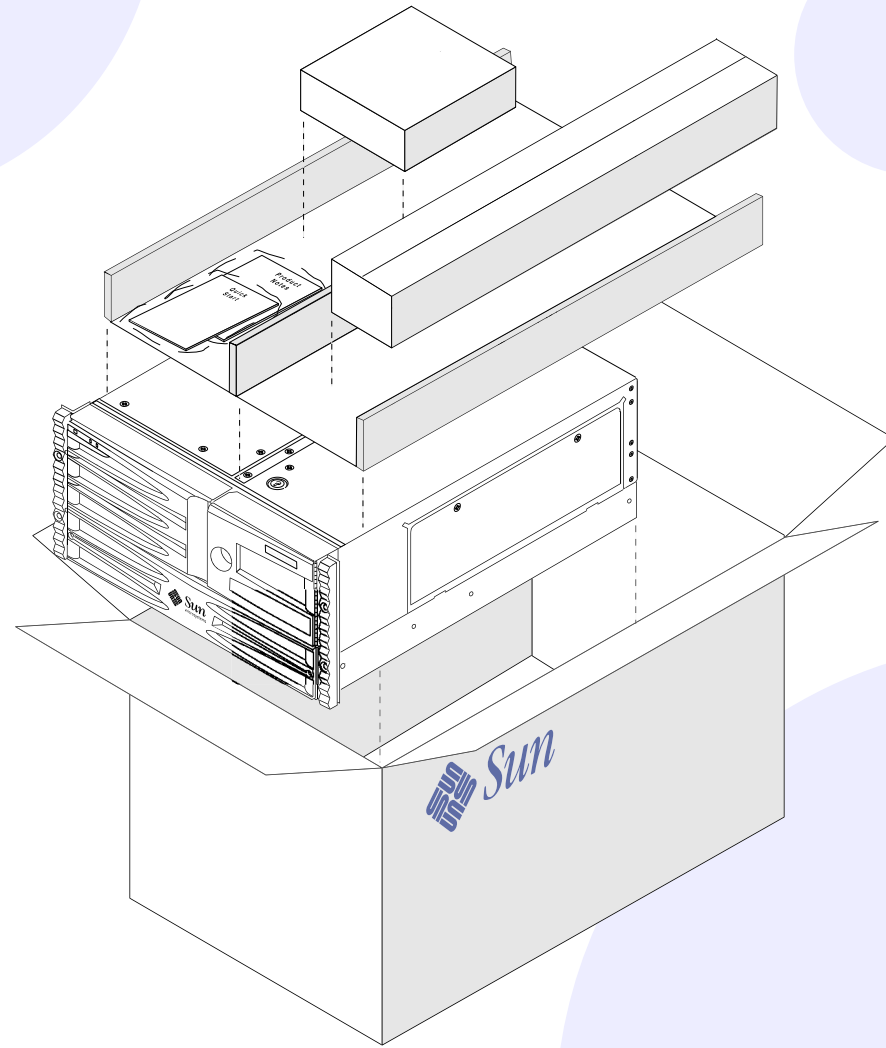
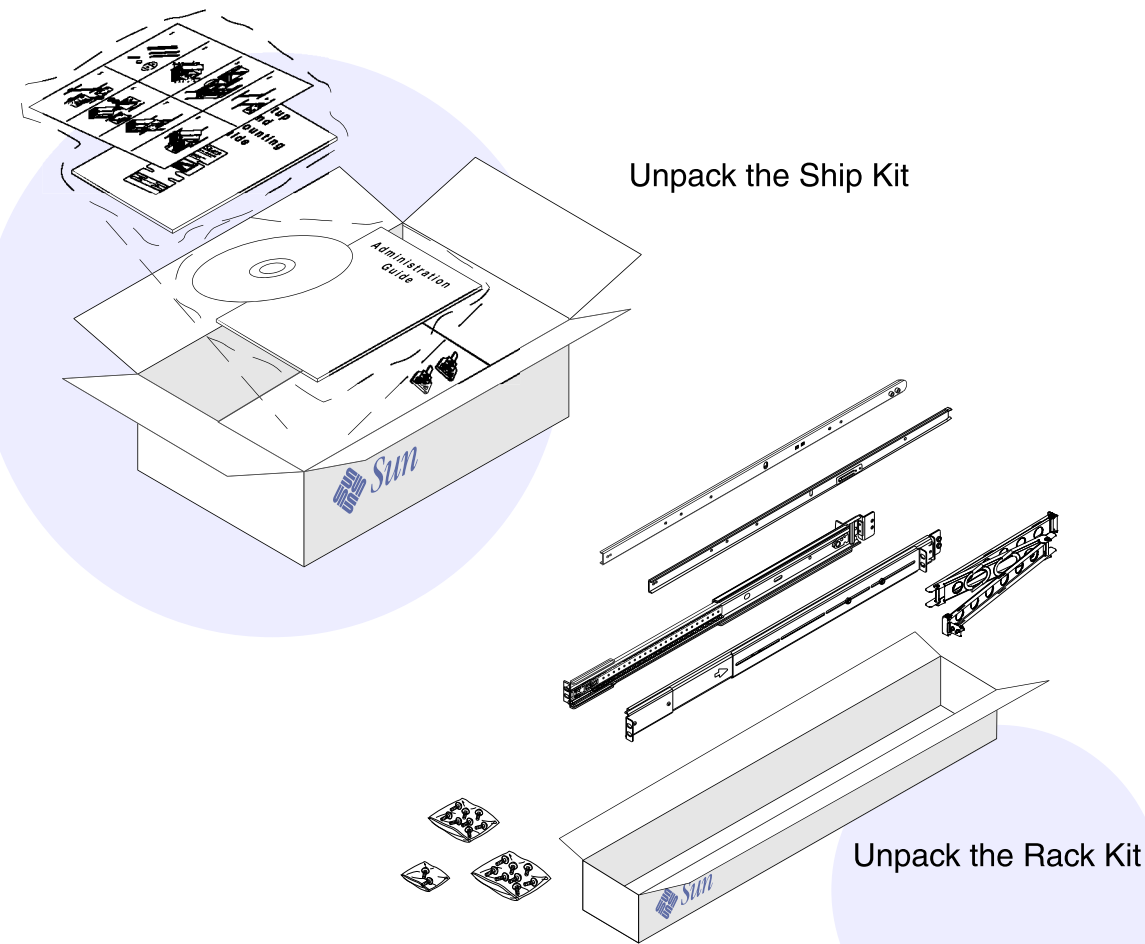


Begin Here

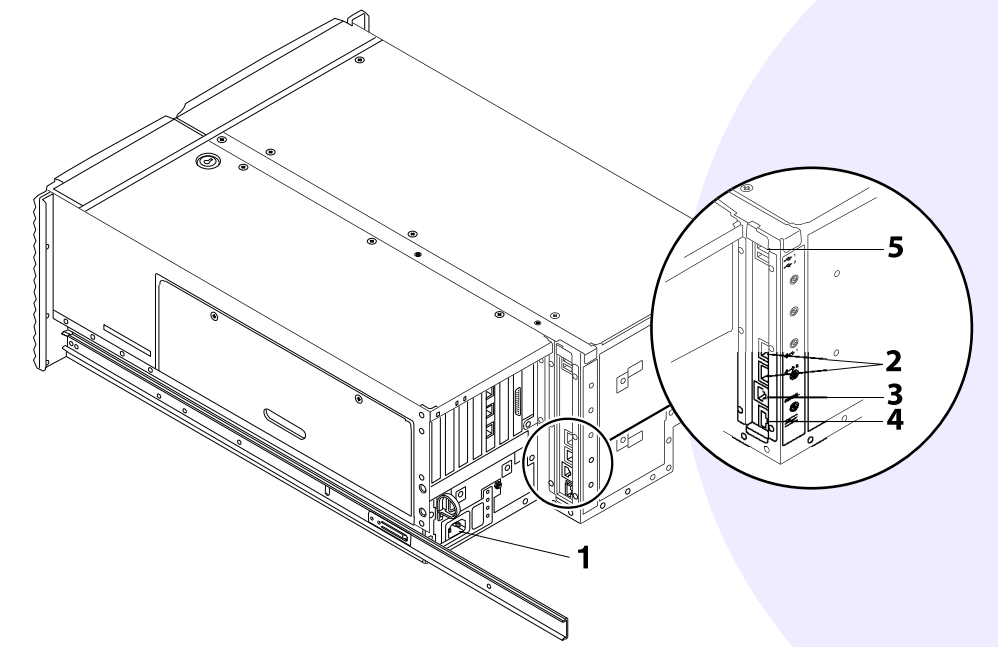


2 Unpack the System

Check that you have received all of the parts you ordered. Contact Sun Microsystems or your distributor/reseller if you are missing anything.



4 Locate the Back Panel Ports



Icon	Back Panel Port	Information
	One of two AC inlets	See Step 5, Connect the Power Cords.
	Ethernet ports	See Step 6, Connect the Ethernet Cable.
	Serial port	See Step 7, Set Up a System Console.
	HSSDC FC-AL port	See the <i>Sun Fire V480 Server Administration Guide</i> for information about the devices you can connect to this port.
	USB ports	See the <i>Sun Fire V480 Server Administration Guide</i> for information about the devices you can connect to this port.

1 Start...

This guide provides an overview of the tasks required to install a Sun Fire V480 server.

- Read the *Sun Fire V480 Product Notes*
- Unpack the system
- Rackmount the system
- Locate the back panel ports
- Connect the power cords
- Connect the Ethernet cable
- Set up a system console
- Install optional components
- Power on the system
- Install the Solaris™ operating environment and software
- Install online documentation

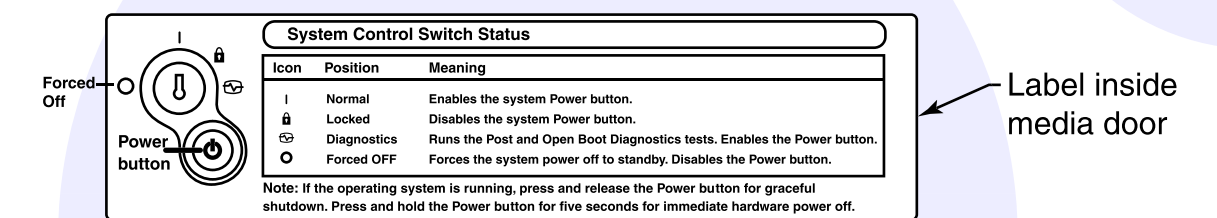
3 Rackmount the System

For instructions on rackmounting your system and installing the cable management arm, refer to one of the following sources:

- Service label attached to the top of the CPU access panel
- *4-Post Rackmounting Overview*
- *Sun Fire V480 Server Setup and Rackmounting Guide*

5 Connect the Power Cords

1. Unlock and open the media door on the front panel. Use the system key from the Ship Kit.
2. Use the same key to turn the system control switch to the Forced Off position.



3. Connect an AC power cord to each power inlet at the back of the server.
4. Connect the other end of each power cord to a grounded AC power outlet. Use a separate circuit for each cord.
5. Attach a strain relief to each AC power cord.

Note - Each outlet must connect to a 15A circuit for North America and Japan, and to a 10A circuit for Europe. Consult your local electrical codes for any additional requirements.

