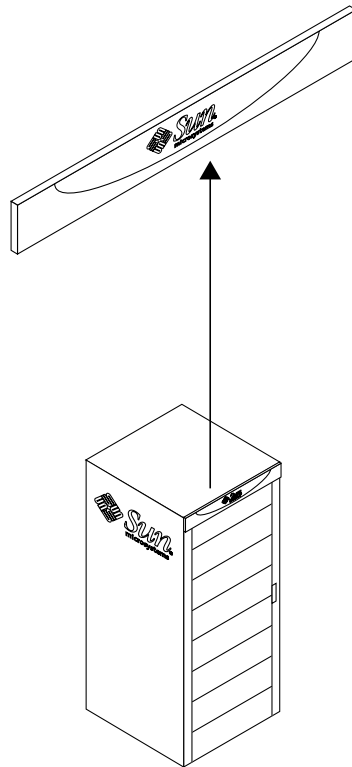


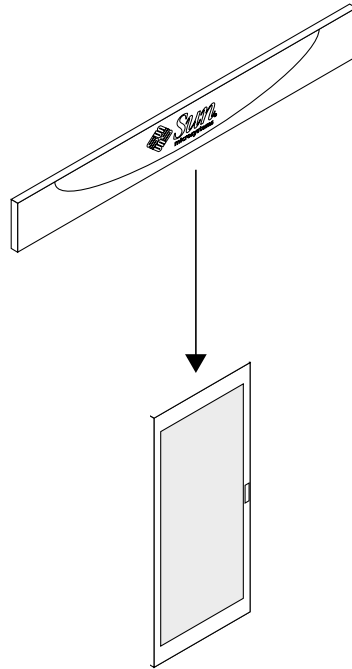
Sun™ Rack Front Door Installation Guide

Installing the Front Door

1. Remove the logo plate from the front of your Sun Rack.



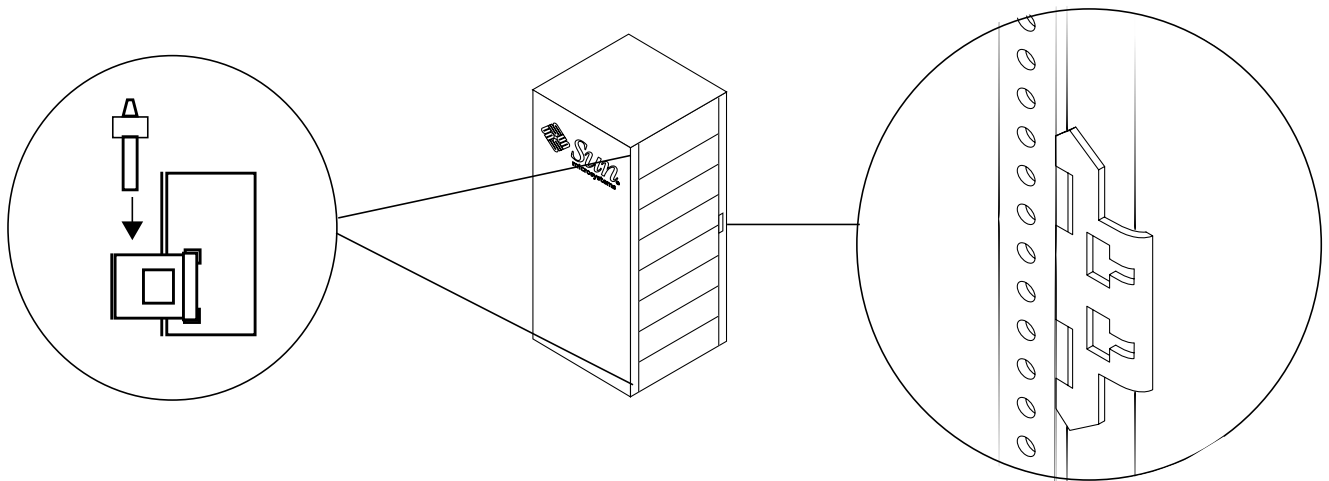
2. Install the new logo plate that came with your front door onto the front door.



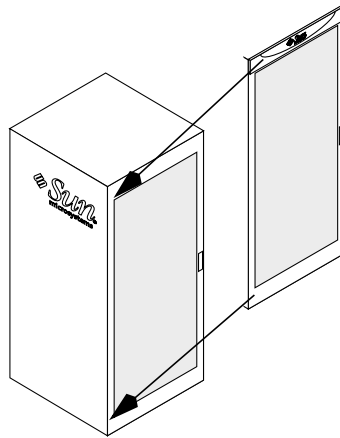
Note – The front door can be installed as either right opening or left opening. Simply rotate the door so that the handle is on the side you want. Ensure that you install the logo so that it will be at the top of the door when the door is installed. The hinge pins and the latch plate can be installed on either side of the rack.

3. Insert one hinge pin in the upper hinge bracket and another hinge pin in the lower hinge bracket.

4. Insert the latch plate in the holes provided in the front of the rack.

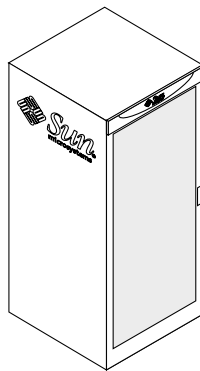


5. Hang the door on the hinge pins that you installed in Step 3.



6. Ensure that the door latch engages correctly with the latch plate.

You might have to reposition the latchplate.



Accessing Sun Documentation

You can view, print, and purchase a broad selection of Sun documentation, including localized versions, at:

<http://www.sun.com/documentation>

Sun Welcomes Your Comments

Sun is interested in improving its documentation and welcomes your comments and suggestions. You can email your comments to Sun at:

docfeedback@sun.com

Please include the part number (816-7767-10) of the document in the subject line of your email.

Copyright 2002 Sun Microsystems, Inc. All rights reserved. Use is subject to license terms. Third-party software, including font technology, is copyrighted and licensed from Sun suppliers. Portions may be derived from Berkeley BSD systems, licensed from U. of CA. Sun, Sun Microsystems, the Sun logo, and Solaris are trademarks or registered trademarks of Sun Microsystems, Inc. in the U.S. and in other countries. All SPARC trademarks are used under license and are trademarks or registered trademarks of SPARC International, Inc. in the U.S. and in other countries. Federal Acquisitions: Commercial Software—Government Users Subject to Standard License Terms and Conditions.

Copyright 2002 Sun Microsystems, Inc. Tous droits réservés. Distribué par des licences qui en restreignent l'utilisation. Le logiciel détenu par des tiers, et qui comprend la technologie relative aux polices de caractères, est protégé par un copyright et licencié par des fournisseurs de Sun. Des parties de ce produit pourront être dérivées des systèmes Berkeley BSD licenciés par l'Université de Californie. Sun, Sun Microsystems, le logo Sun, et Solaris sont des marques de fabrique ou des marques déposées de Sun Microsystems, Inc. aux Etats-Unis et dans d'autres pays. Toutes les marques SPARC sont utilisées sous licence et sont des marques de fabrique ou des marques déposées de SPARC International, Inc. aux Etats-Unis et dans d'autres pays.



Sun Microsystems, Inc.
4150 Network Circle
Santa Clara, CA 95054 USA
www.sun.com

Part No. 816-7767-10, Rev.A
November 2002