



# Sun StorEdge™ T3 Disk Tray Installation Guide

---

For the Sun™ Rack

Sun Microsystems, Inc.  
4150 Network Circle  
Santa Clara, CA 95054 U.S.A.  
650-960-1300

Part No. 816-7771-10  
November 2002, Revision A

Send comments about this document to: [docfeedback@sun.com](mailto:docfeedback@sun.com)

Copyright 2002 Sun Microsystems, Inc., 4150 Network Circle, Santa Clara, California 95054, U.S.A. All rights reserved.

Sun Microsystems, Inc. has intellectual property rights relating to technology embodied in the product that is described in this document. In particular, and without limitation, these intellectual property rights may include one or more of the U.S. patents listed at <http://www.sun.com/patents> and one or more additional patents or pending patent applications in the U.S. and in other countries.

This document and the product to which it pertains are distributed under licenses restricting their use, copying, distribution, and decompilation. No part of the product or of this document may be reproduced in any form by any means without prior written authorization of Sun and its licensors, if any.

Third-party software, including font technology, is copyrighted and licensed from Sun suppliers.

Parts of the product may be derived from Berkeley BSD systems, licensed from the University of California. UNIX is a registered trademark in the U.S. and in other countries, exclusively licensed through X/Open Company, Ltd.

Sun, Sun Microsystems, the Sun logo, AnswerBook2, docs.sun.com, StorEdge, and Solaris are trademarks or registered trademarks of Sun Microsystems, Inc. in the U.S. and in other countries.

All SPARC trademarks are used under license and are trademarks or registered trademarks of SPARC International, Inc. in the U.S. and in other countries. Products bearing SPARC trademarks are based upon an architecture developed by Sun Microsystems, Inc.

The OPEN LOOK and Sun™ Graphical User Interface was developed by Sun Microsystems, Inc. for its users and licensees. Sun acknowledges the pioneering efforts of Xerox in researching and developing the concept of visual or graphical user interfaces for the computer industry. Sun holds a non-exclusive license from Xerox to the Xerox Graphical User Interface, which license also covers Sun's licensees who implement OPEN LOOK GUIs and otherwise comply with Sun's written license agreements.

Use, duplication, or disclosure by the U.S. Government is subject to restrictions set forth in the Sun Microsystems, Inc. license agreements and as provided in DFARS 227.7202-1(a) and 227.7202-3(a) (1995), DFARS 252.227-7013(c)(1)(ii) (Oct. 1998), FAR 12.212(a) (1995), FAR 52.227-19, or FAR 52.227-14 (ALT III), as applicable.

DOCUMENTATION IS PROVIDED "AS IS" AND ALL EXPRESS OR IMPLIED CONDITIONS, REPRESENTATIONS AND WARRANTIES, INCLUDING ANY IMPLIED WARRANTY OF MERCHANTABILITY, FITNESS FOR A PARTICULAR PURPOSE OR NON-INFRINGEMENT, ARE DISCLAIMED, EXCEPT TO THE EXTENT THAT SUCH DISCLAIMERS ARE HELD TO BE LEGALLY INVALID.

---

Copyright 2002 Sun Microsystems, Inc., 4150 Network Circle, Santa Clara, California 95054, Etats-Unis. Tous droits réservés.

Sun Microsystems, Inc. a les droits de propriété intellectuelle relatant à la technologie incorporée dans le produit qui est décrit dans ce document. En particulier, et sans la limitation, ces droits de propriété intellectuelle peuvent inclure un ou plus des brevets américains énumérés à <http://www.sun.com/patents> et un ou les brevets plus supplémentaires ou les applications de brevet en attente dans les Etats-Unis et dans les autres pays.

Ce produit ou document est protégé par un copyright et distribué avec des licences qui en restreignent l'utilisation, la copie, la distribution, et la décompilation. Aucune partie de ce produit ou document ne peut être reproduite sous aucune forme, par quelque moyen que ce soit, sans l'autorisation préalable et écrite de Sun et de ses bailleurs de licence, s'il y en a.

Le logiciel détenu par des tiers, et qui comprend la technologie relative aux polices de caractères, est protégé par un copyright et licencié par des fournisseurs de Sun.

Des parties de ce produit pourront être dérivées des systèmes Berkeley BSD licenciés par l'Université de Californie. UNIX est une marque déposée aux Etats-Unis et dans d'autres pays et licenciée exclusivement par X/Open Company, Ltd.

Sun, Sun Microsystems, le logo Sun, AnswerBook2, docs.sun.com, StorEdge, et Solaris sont des marques de fabrique ou des marques déposées de Sun Microsystems, Inc. aux Etats-Unis et dans d'autres pays.

Toutes les marques SPARC sont utilisées sous licence et sont des marques de fabrique ou des marques déposées de SPARC International, Inc. aux Etats-Unis et dans d'autres pays. Les produits portant les marques SPARC sont basés sur une architecture développée par Sun Microsystems, Inc.

L'interface d'utilisation graphique OPEN LOOK et Sun™ a été développée par Sun Microsystems, Inc. pour ses utilisateurs et licenciés. Sun reconnaît les efforts de pionniers de Xerox pour la recherche et le développement du concept des interfaces d'utilisation visuelle ou graphique pour l'industrie de l'informatique. Sun détient une licence non exclusive de Xerox sur l'interface d'utilisation graphique Xerox, cette licence couvrant également les licenciés de Sun qui mettent en place l'interface d'utilisation graphique OPEN LOOK et qui en outre se conforment aux licences écrites de Sun.

LA DOCUMENTATION EST FOURNIE "EN L'ÉTAT" ET TOUTES AUTRES CONDITIONS, DECLARATIONS ET GARANTIES EXPRESSES OU TACITES SONT FORMELLEMENT EXCLUES, DANS LA MESURE AUTORISÉE PAR LA LOI APPLICABLE, Y COMPRIS NOTAMMENT TOUTE GARANTIE IMPLICITE RELATIVE A LA QUALITE MARCHANDE, A L'APTITUDE A UNE UTILISATION PARTICULIERE OU A L'ABSENCE DE CONTREFAÇON.



Please  
Recycle



Adobe PostScript

# Installing a Sun StorEdge T3 Disk Tray in a Sun Rack

---

---

## Installation Guidelines

Follow the guidelines when installing the disk tray:

- Prepare the location following the instructions in the *Sun StorEdge T3 Disk Tray Site Preparation and Planning Guide*.
- Install the disk tray in the first empty slot at the bottom of the rack. If you are installing more than one disk tray, continue installing disk trays from the bottom up.
- If you are installing a disk tray partner group, install the master unit in the lowest empty slot available, and install the alternate master unit in the next slot up. Install all disk tray partner groups in this order.
- Use two people to lift and install the disk tray.



---

**Caution** – This procedure requires two people to lift and move the disk tray. Use care to avoid injury. A disk tray can weigh up to 67 pounds (30 kg)

---

---

## Attaching the Support Plate to the Disk Tray

1. With the aid of an assistant, invert the disk tray so that the bottom faces up and the front faces you.
2. Using a Phillips screwdriver, remove the four screws that secure the feet to the disk tray.

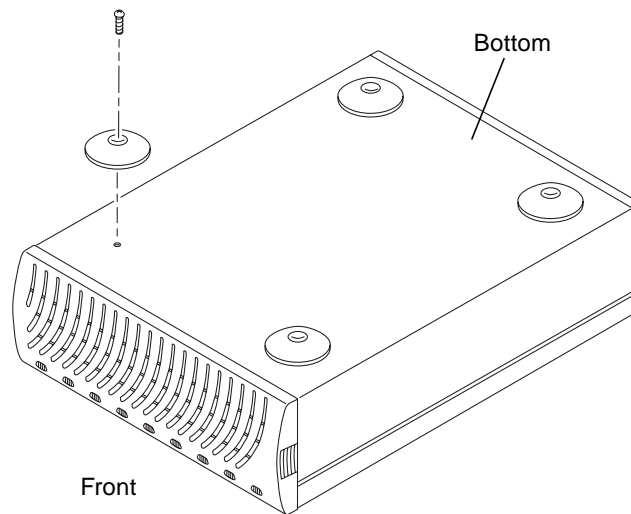


FIGURE 1 Removing the Feet

3. Secure the support plate to the disk tray, using screws provided in the rackmount kit.

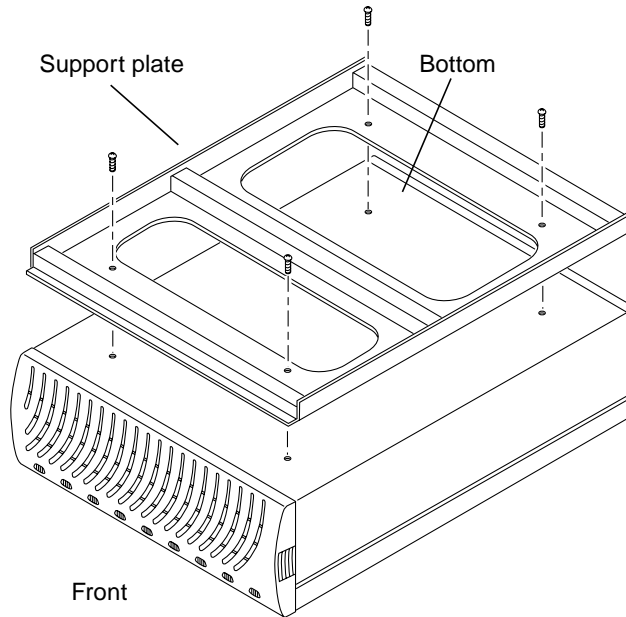


FIGURE 2 Attaching the Support Plate to the Disk Tray

4. With the aid of an assistant, restore the disk tray to the upright position.

---

## Preparing the Sun Rack for Service

For information about removing the side panels, extension panels, and doors, refer to the *Sun Rack Service Manual*. Be sure to extend the rack's antitilt bar.

---

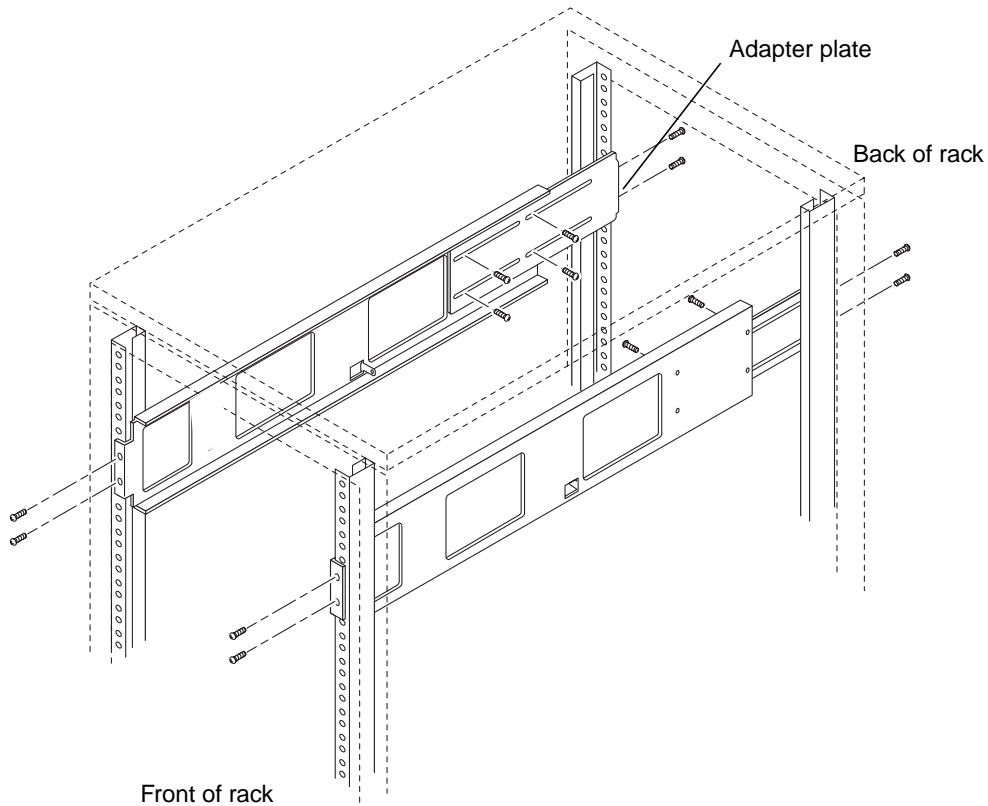
## Attaching the Side Rails

1. Prepare the side rails by loosely attaching the adapter plates to the back of the rails using four M6 screws, per adapter plate.

The screws are provided in the rackmount kit.

**2. Position the left side rail in the rack, aligning the rails at the front and back.**

Align the bottom of the rail to the RU marking on the rack mounting rail. When installing the side rails, ensure that they are positioned evenly from the front of the rack to the back.



**FIGURE 3** Attaching a 4-RU Side Rail and Threading the Screws

**3. Install the screws at the front and back rail holes.**

- If you are installing a 4-RU rackmount kit, install four screws at the front and four screws at the back of the rack.
- If you are installing a 7-RU rackmount kit, install four screws at the front and eight screws at the back of the rack.

**4. Tighten all screws, including the adapter plate screws.**

5. Repeat Step 1 through Step 4 for the right side rail. Ensure that the right side rail is positioned evenly with the left side rail.

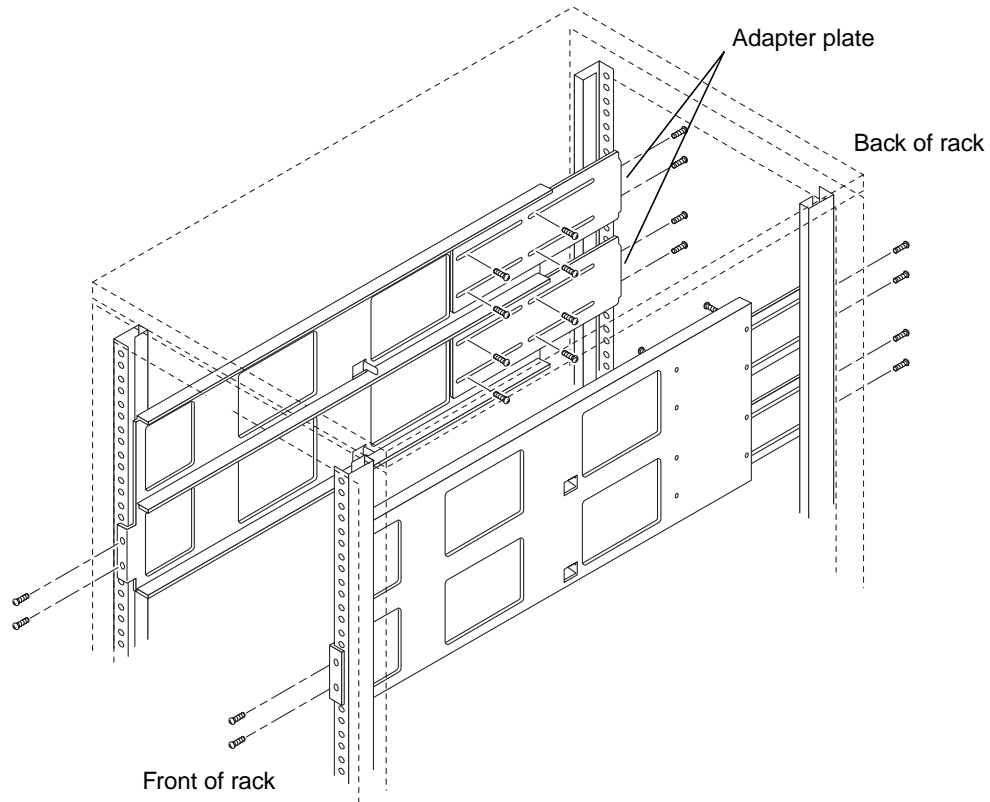


FIGURE 4 Attaching a 7-RU Side Rail and Threading the Screws

---

## Installing the Disk Tray in the Rack

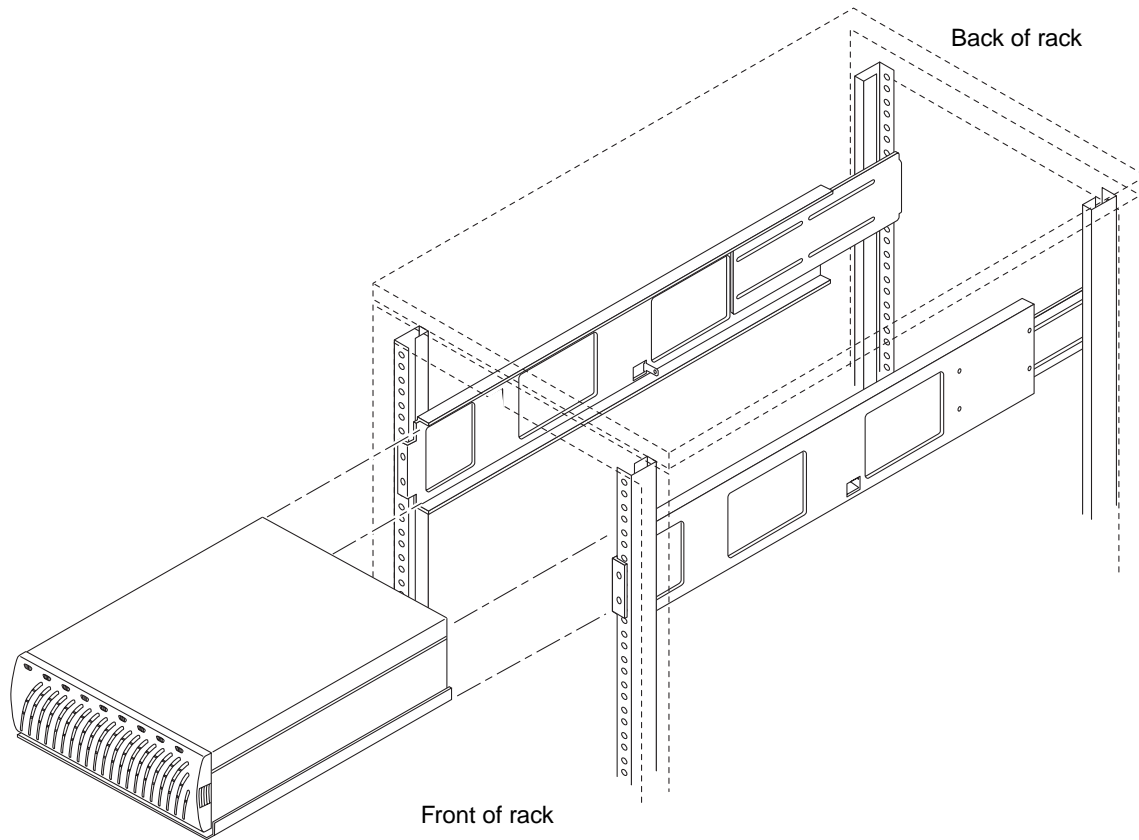


---

**Caution** – The rack can become front-heavy while a disk tray is being installed. Unless your rack is bolted to the floor, ensure that the antitilt bar is extended before proceeding. Failure to extend the antitilt bar can result in the rack tipping forward and injuring personnel.

---

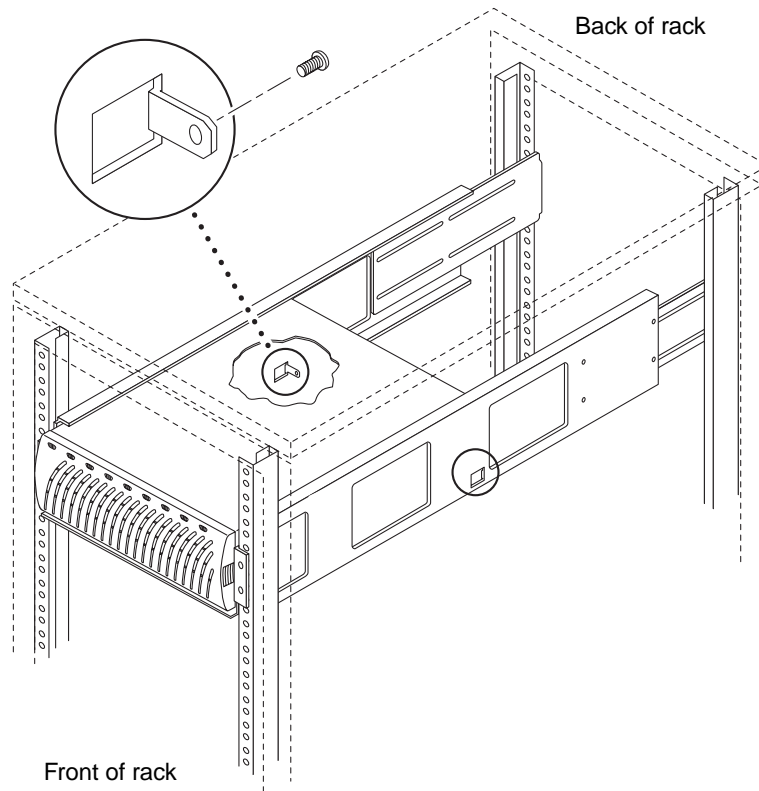
1. With the aid of an assistant, lift the disk tray (one person on each side) and approach the rack with the back of the disk tray entering the front of the rack.
2. Align the disk tray with the side rails, and slide the disk tray in the rack.



**FIGURE 5** Aligning the Disk Tray Chassis and Support Plate With the Side Rails

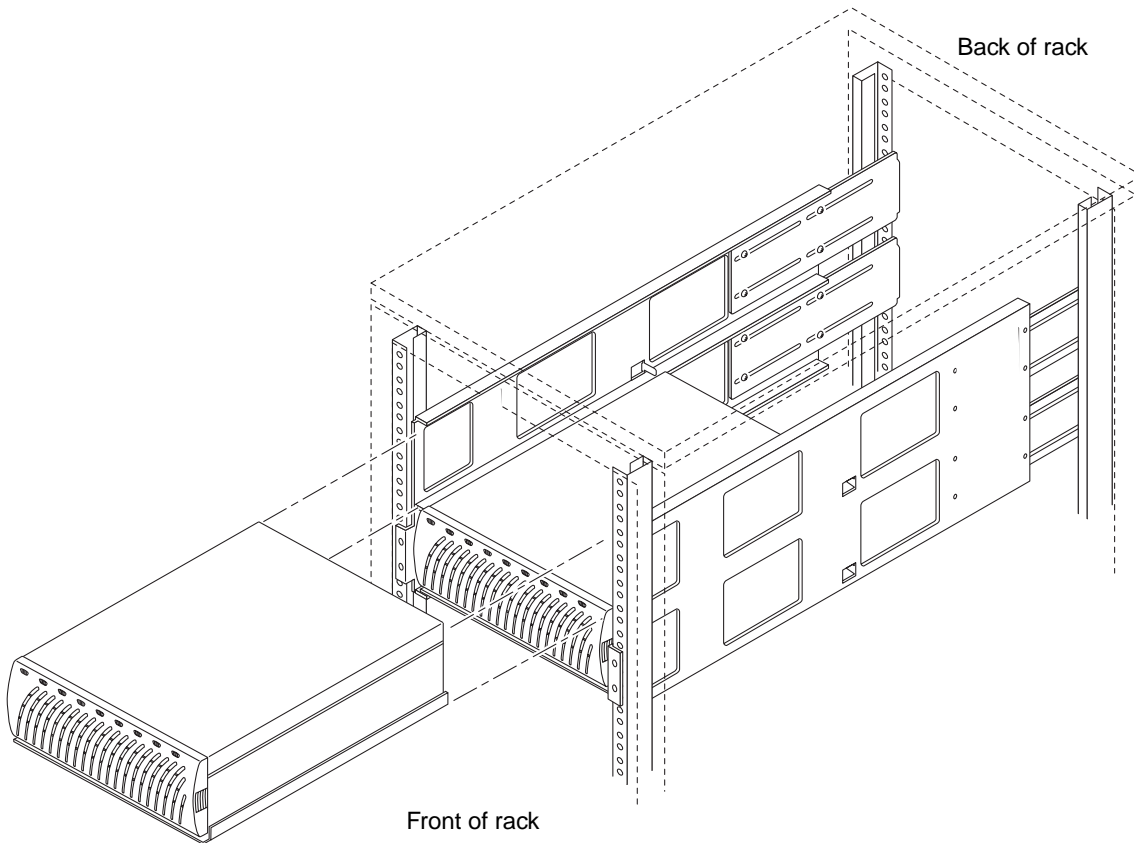


3. Secure the disk tray to the side rails by threading two 10-32 screws into the support plate at the back of the disk tray chassis.



**FIGURE 6** Securing the Disk Tray Chassis

4. If you are installing a second disk tray into a 7-RU side rail, repeat Step 1 through Step 4.



**FIGURE 7** Installing a Second Disk Tray Into a 7-RU Side Rail

After you have installed the disk tray in the rack, refer to Chapter 2 of the *Sun StorEdge T3 Disk Tray Installation, Operation, and Service Manual* for instructions about how to cable the disk trays.



---

**Caution** – If you need to remove the disk tray, make sure you have someone to assist you; one of you should be positioned at the front of the rack and the other one should be at the back. The person at the back of the rack can push it forward slightly after removing the mounting screws. The person at the front of the rack should be ready to take hold and stabilize the tray once it starts to move forward. Use two people to pull it out of the rails completely.

---