



Sun StorEdge™ A1000 and D1000 Rackmount Installation Guide

For the Sun™ Rack

Sun Microsystems, Inc.
4150 Network Circle
Santa Clara, CA 95054 U.S.A.
650-960-1300

Part No. 816-7772-10
November 2002, Revision A

Send comments about this document to: docfeedback@sun.com

Copyright 2002 Sun Microsystems, Inc., 4150 Network Circle, Santa Clara, California 95054, U.S.A. All rights reserved.

Sun Microsystems, Inc. has intellectual property rights relating to technology embodied in the product that is described in this document. In particular, and without limitation, these intellectual property rights may include one or more of the U.S. patents listed at <http://www.sun.com/patents> and one or more additional patents or pending patent applications in the U.S. and in other countries.

This document and the product to which it pertains are distributed under licenses restricting their use, copying, distribution, and decompilation. No part of the product or of this document may be reproduced in any form by any means without prior written authorization of Sun and its licensors, if any.

Third-party software, including font technology, is copyrighted and licensed from Sun suppliers.

Parts of the product may be derived from Berkeley BSD systems, licensed from the University of California. UNIX is a registered trademark in the U.S. and in other countries, exclusively licensed through X/Open Company, Ltd.

Sun, Sun Microsystems, the Sun logo, AnswerBook2, docs.sun.com, StorEdge, and Solaris are trademarks or registered trademarks of Sun Microsystems, Inc. in the U.S. and in other countries.

All SPARC trademarks are used under license and are trademarks or registered trademarks of SPARC International, Inc. in the U.S. and in other countries. Products bearing SPARC trademarks are based upon an architecture developed by Sun Microsystems, Inc.

The OPEN LOOK and Sun™ Graphical User Interface was developed by Sun Microsystems, Inc. for its users and licensees. Sun acknowledges the pioneering efforts of Xerox in researching and developing the concept of visual or graphical user interfaces for the computer industry. Sun holds a non-exclusive license from Xerox to the Xerox Graphical User Interface, which license also covers Sun's licensees who implement OPEN LOOK GUIs and otherwise comply with Sun's written license agreements.

Use, duplication, or disclosure by the U.S. Government is subject to restrictions set forth in the Sun Microsystems, Inc. license agreements and as provided in DFARS 227.7202-1(a) and 227.7202-3(a) (1995), DFARS 252.227-7013(c)(1)(ii) (Oct. 1998), FAR 12.212(a) (1995), FAR 52.227-19, or FAR 52.227-14 (ALT III), as applicable.

DOCUMENTATION IS PROVIDED "AS IS" AND ALL EXPRESS OR IMPLIED CONDITIONS, REPRESENTATIONS AND WARRANTIES, INCLUDING ANY IMPLIED WARRANTY OF MERCHANTABILITY, FITNESS FOR A PARTICULAR PURPOSE OR NON-INFRINGEMENT, ARE DISCLAIMED, EXCEPT TO THE EXTENT THAT SUCH DISCLAIMERS ARE HELD TO BE LEGALLY INVALID.

Copyright 2002 Sun Microsystems, Inc., 4150 Network Circle, Santa Clara, California 95054, Etats-Unis. Tous droits réservés.

Sun Microsystems, Inc. a les droits de propriété intellectuelle relatant à la technologie incorporée dans le produit qui est décrit dans ce document. En particulier, et sans la limitation, ces droits de propriété intellectuelle peuvent inclure un ou plus des brevets américains énumérés à <http://www.sun.com/patents> et un ou les brevets plus supplémentaires ou les applications de brevet en attente dans les Etats-Unis et dans les autres pays.

Ce produit ou document est protégé par un copyright et distribué avec des licences qui en restreignent l'utilisation, la copie, la distribution, et la décompilation. Aucune partie de ce produit ou document ne peut être reproduite sous aucune forme, par quelque moyen que ce soit, sans l'autorisation préalable et écrite de Sun et de ses bailleurs de licence, s'il y en a.

Le logiciel détenu par des tiers, et qui comprend la technologie relative aux polices de caractères, est protégé par un copyright et licencié par des fournisseurs de Sun.

Des parties de ce produit pourront être dérivées des systèmes Berkeley BSD licenciés par l'Université de Californie. UNIX est une marque déposée aux Etats-Unis et dans d'autres pays et licenciée exclusivement par X/Open Company, Ltd.

Sun, Sun Microsystems, le logo Sun, AnswerBook2, docs.sun.com, StorEdge, et Solaris sont des marques de fabrique ou des marques déposées de Sun Microsystems, Inc. aux Etats-Unis et dans d'autres pays.

Toutes les marques SPARC sont utilisées sous licence et sont des marques de fabrique ou des marques déposées de SPARC International, Inc. aux Etats-Unis et dans d'autres pays. Les produits portant les marques SPARC sont basés sur une architecture développée par Sun Microsystems, Inc.

L'interface d'utilisation graphique OPEN LOOK et Sun™ a été développée par Sun Microsystems, Inc. pour ses utilisateurs et licenciés. Sun reconnaît les efforts de pionniers de Xerox pour la recherche et le développement du concept des interfaces d'utilisation visuelle ou graphique pour l'industrie de l'informatique. Sun détient une licence non exclusive de Xerox sur l'interface d'utilisation graphique Xerox, cette licence couvrant également les licenciés de Sun qui mettent en place l'interface d'utilisation graphique OPEN LOOK et qui en outre se conforment aux licences écrites de Sun.

LA DOCUMENTATION EST FOURNIE "EN L'ÉTAT" ET TOUTES AUTRES CONDITIONS, DECLARATIONS ET GARANTIES EXPRESSES OU TACITES SONT FORMELLEMENT EXCLUES, DANS LA MESURE AUTORISÉE PAR LA LOI APPLICABLE, Y COMPRIS NOTAMMENT TOUTE GARANTIE IMPLICITE RELATIVE A LA QUALITE MARCHANDE, A L'APTITUDE A UNE UTILISATION PARTICULIERE OU A L'ABSENCE DE CONTREFAÇON.



Please
Recycle



Adobe PostScript

Sun StorEdge A1000 and D1000 Rackmount Installation

This document contains the following sections:

- Kit Contents—page 1
- Installing the Mounting Tray on the Chassis—page 2
- Installing the Mounting Brackets—page 4
- Installing the Chassis in the Cabinet—page 5

Kit Contents

The kit supplied with a tray contains:

- 1 mounting tray
- 2 mounting brackets
- mounting hardware

Preparing the Sun Rack for Service

For information about removing the side panels, extension panels, and doors, refer to the *Sun Rack Service Manual*.

Installing the Mounting Tray on the Chassis

Before installing a tabletop version of the disk array in a cabinet, you must first install a mounting tray on the bottom of the chassis as described here. If your disk array is already configured for rack installation, go directly to “Installing the Mounting Brackets” on page 4.



Caution – This procedure requires two people to lift and move the disk array. Use care to avoid injury. A disk array with a mounting tray attached can weigh up to 75 pounds (34 kg).

1. **With the aid of an assistant, invert the chassis with the front facing you (FIGURE 1).**
2. **Remove the feet.**
Discard the feet and screws. They are not reused.

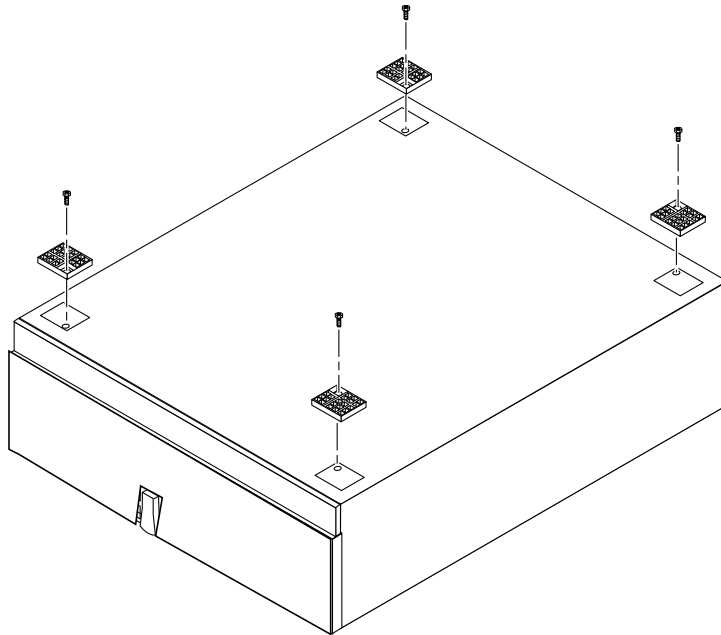


FIGURE 1 Removing the Feet

3. Place the mounting tray on the chassis (FIGURE 2).

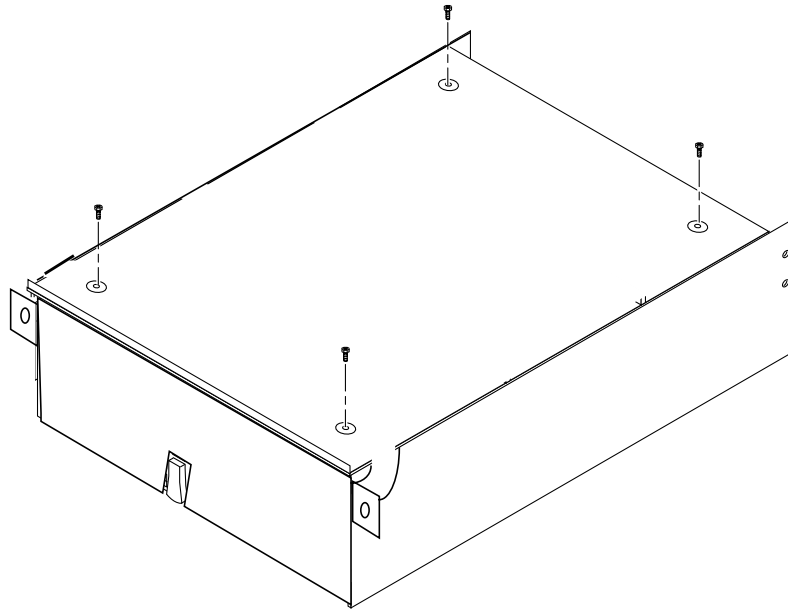


FIGURE 2 Installing the Mounting Tray on the Chassis

- 4. Loosely thread the No. 10-14 x 7/16-inch screws into all four holes.**
- 5. When all screws are started, tighten them.**
- 6. With the aid of an assistant, restore the chassis to the upright position with the front of the chassis facing you.**
- 7. Go to “Installing the Mounting Brackets” on page 4.**

Installing the Mounting Brackets

Follow the instructions on preparing for service that are in your system or expansion cabinet documentation. If necessary, be sure to:

- Extend the antitilt bar
- Remove or open the front and rear doors

1. **Attach the brackets together loosely with 10-32 screws.**
2. **Align the bottom edge of the brackets with the RU marking on the rack mounting rail.**

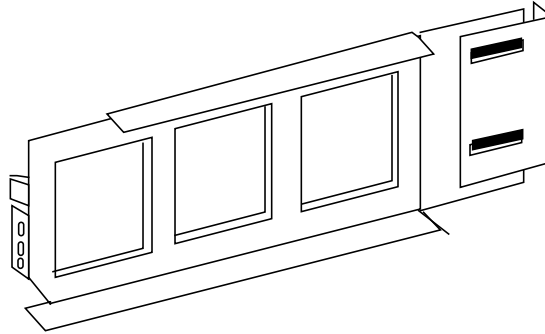


FIGURE 3 Universal Mounting Bracket

3. **Attach the brackets to the outsides of the rack mounting rails using 4 M6 screws on each side.**
4. **Tighten the 10-32 screws on the brackets.**

Installing the Chassis in the Cabinet



Caution – The cabinet can become front-heavy while the chassis is being installed. Unless your cabinet is bolted to the floor, ensure that the antitilt bar is extended before proceeding. Failure to extend the antitilt bar can result in the cabinet tipping forward and injuring personnel.



Caution – This installation requires two people to lift and move the disk array. Use care to avoid injury. A disk array with a baseplate attached may weigh up to 75 pounds (34 kg).

1. With the aid of an assistant, lift the chassis (one person on each side) and approach the expansion cabinet with the chassis back facing the cabinet.
2. Line up the mounting tray with the mounting brackets in the cabinet (FIGURE 4).

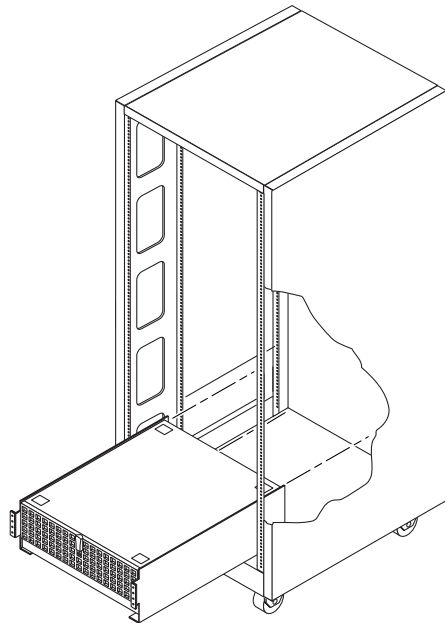


FIGURE 4 Aligning the Mounting Tray With the Mounting Brackets

3. Rest the chassis on the mounting brackets, then slide the chassis in.

4. Install 2 M6 securing screws in the front of the cabinet (FIGURE 5).

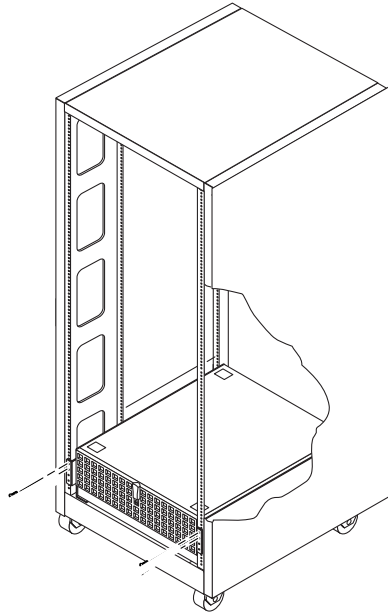


FIGURE 5 Installing the Front Securing Screws

5. Connect the power cables and SCSI cables.

For maximum power redundancy, connect the power cables to different power sequencers. Refer to the instructions that came with your cabinet.